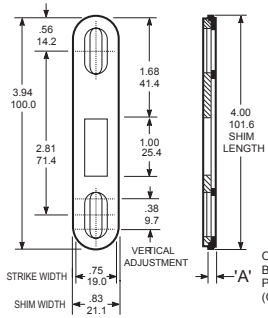
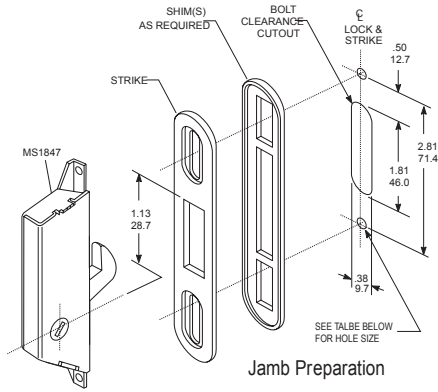


INCHES
MILLIMETERS
Nominal, subject to tolerance extremes.



ONE OR MORE SHIM(S) MAY BE USED TO ACHIEVE GREATER PROJECTION 'A' FROM JAMB (ONE SHIM SHOWN)



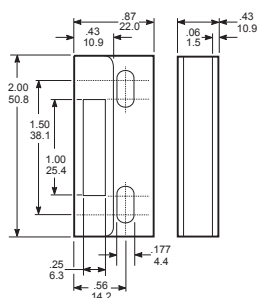
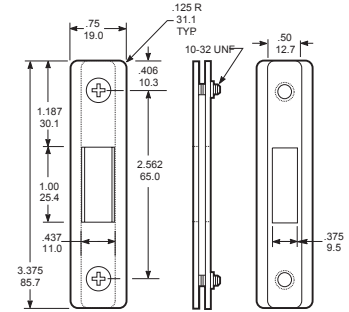
Jamb Preparation

4800 Series

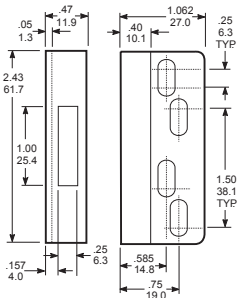
PART NO.	SHIMS	DIMENSION 'A'	APPLICATION	PART NO.	SHIMS	DIMENSION 'A'	APPLICATION
4801	None	0"	METAL JAMBS (Furnished with two #8 x 1 sheet metal screws.)	4802	None	0"	WOOD JAMBS (Furnished with two #8-32 x 7/8 machine screws and two tie nuts.)
4801-01	1	3/32" 2.4		4802-01	1	3/32" 2.4	
4801-02	2	3/16" 4.8		4802-02	2	3/16" 4.8	
4801-03	3	9/32" 7.1		4802-03	3	9/32" 7.1	

	HOLE SIZE
METAL JAMB APPLICATION 4801 SERIES	.120 (No. 31 DRILL)
WOOD JAMB APPLICATION 4802 SERIES	.213 (No. 3 DRILL)

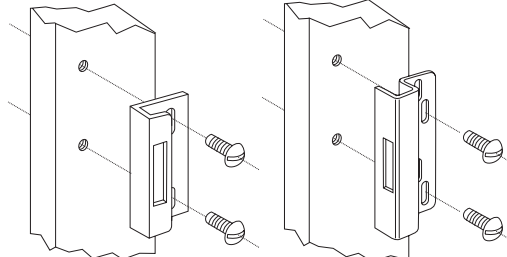
MS4804



4803

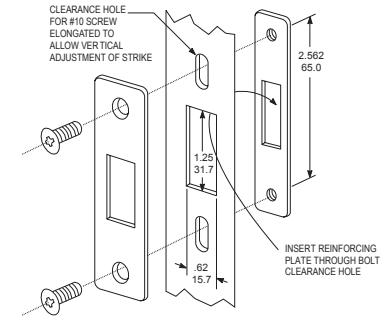


4806



4803

4806



ADAMS RITE MANUFACTURING CO.

260 Santa Fe Street, Pomona, CA 91767
Phone: (909) 632-2300 Fax: (909) 632-2369

4800 Series Strikes